



CONNERO

MODERN CLOSET STORAGE



KESSEBÖHMER



CONERO CONCEPT 4

CLOTHES LIFTS & RAILS 6

Classic Wardrobe Lift..... 8

TOP Wardrobe Lift 11

Closet Rods..... 14

Shims & Plates..... 15

DRAWERS & PULL-OUTS 16

Drawers..... 18

Trays 22

Interior Flocks 25

Pull-outs..... 28

Shims & Accessories 31

SHOE & SMALL STORAGE..... 32

Shoe Fence 34

Shoe Rack 36

Belt & Tie Storage 37

The CONERO Concept

Inspired by Italy's Conero Riviera, CONERO is Kesseböhmer's first collection of storage components designed for residential closets. The minimal frame structure of CONERO's components provides a sleek, modern alternative to traditional closet storage.

Modern design paired with maximum functionality are the fundamental principles of the CONERO collection. The ultimate goal of the components is to provide the utmost adaptability to suit any custom design.

Storage space, visibility and ease of use demonstrate the emphasis on functionality while a high-quality design aesthetic and a coordinated color concept bring CONERO to the forefront of modern closet design.





Adaptable Components

CONERO's components are uniquely adjustable, allowing installers to adapt the collection to the closet, not the closet to the collection. Predetermined heights contrasted with adjustable widths allow the components of the collection flexibility while maintaining its elegance. The combined height of two low pull-outs equal the height of one high drawer, creating visual stability through the collection.

CONERO Pull-outs, Drawers, and Trays have 60 mm (2 3/8") width adjustability, allowing them to form a clear width from 334 to 1020 mm (13 1/8" - 40 1/8"). CONERO Drawers are available in two heights of 72 mm (2 7/8") and 168 mm (6 5/8").

All CONERO components are available in two clear installation depths of 345 mm (13 5/8") and 475 mm (18 3/4"). The Kesseböhmer CX concealed runner is available in nominal lengths of 320 mm (12 5/8") or 450 mm (17 3/4").

Kesseböhmer shims allow the components to function around obtrusive elements such as hinges or sliding doors.





KESSEBÖHMER



CLOTHES LIFTS & RAILS

Classic Wardrobe Lift	8
TOP Wardrobe Lift	11
Closet Rods	14
Shims & Plates	15



Classic Wardrobe Lift

Pulling the handle of the Classic Wardrobe Lift moves the clothes rail out and down. The lift's movement is controlled by a self-regulating system that prevents the fitting from swivelling downwards uncontrolled. The unique interaction of the lift kinematics and control lever enables effortless lifting with a full load.

The Classic Wardrobe Lift is available in two widths: 445 - 1168 mm (17 ½ - 45 7/8") for loads up to 12 kg (26.5 lbs) and 805 - 1168 mm (31 ¾ - 45 7/8") for loads up to 15 kg. A **minimum load of 4 kg (9lbs)** is required for use. The width can be adjusted by 183 mm (7 1/8").



CONERO Classic Wardrobe Lift

CONERO Classic Wardrobe Lift

Packing Unit: 1

Clear Cabinet Width (CW)*	Payload	Load capacity** (max.)	System weight (max.)	Powder Black	Champagne
445 - 628 mm (17 ½ - 24 ¾")	0-12 kg (1-26.5 lb)	14 kg (30 lb)	17.5 kg (38.5 lb)	238278 7021	238278 9853
625 - 808 mm (24 ⅝ - 31 ¾")	0-12 kg (1-26.5 lb)	14 kg (30 lb)	17.5 kg (38.5 lb)	238279 7021	238279 9853
805 - 988 mm (31 ¾ - 38 ⅞")	0-12 kg (1-26.5 lb)	14 kg (30 lb)	17.5 kg (38.5 lb)	238280 7021	238280 9853
985 - 1168 mm (38 ⅝ - 45 ⅞")	0-12 kg (1-26.5 lb)	14 kg (30 lb)	17.5 kg (38.5 lb)	238281 7021	238281 9853
805 - 988 mm (31 ¾ - 38 ⅞")	4.0-15 kg (9-33 lb)	17 kg (38 lb)	20.5 kg (45 lb)	238720 7021	238720 9853
985 - 1168 mm (38 ⅝ - 45 ⅞")	4.0-15 kg (9-33 lb)	17 kg (38 lb)	20.5 kg (45 lb)	238721 7021	238721 9853



*The use of shims increases the necessary clear cabinet width by 30 mm (1 ⅛") each.

**Load capacity = payload + 2 kg (4.5 lbs)
(max. weight of the control lever and clothes rail).

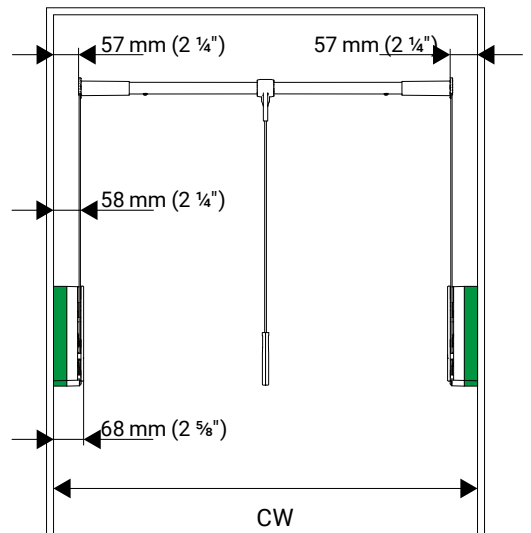
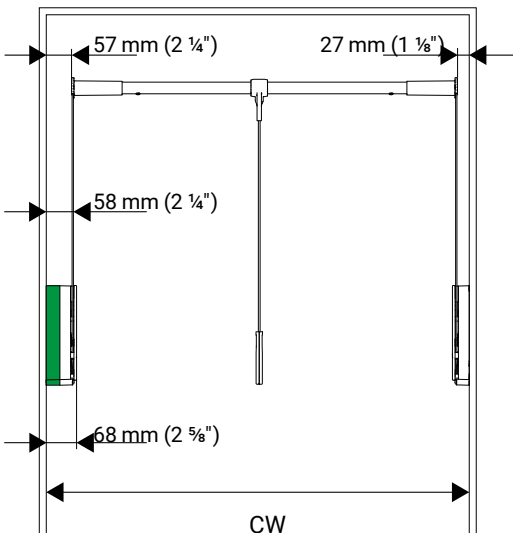
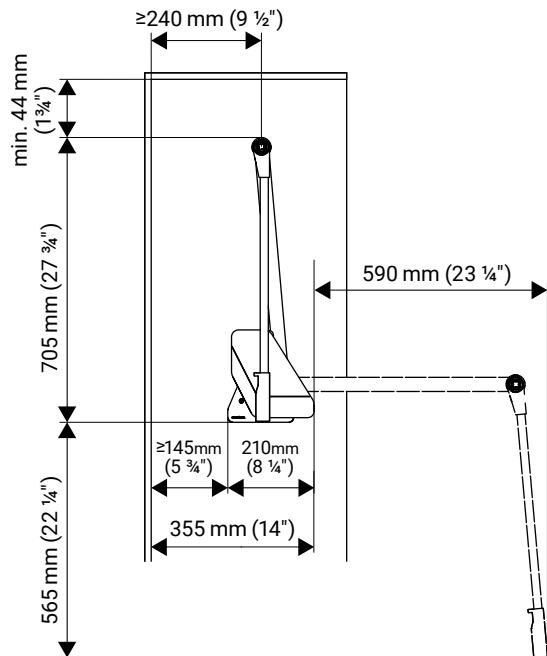
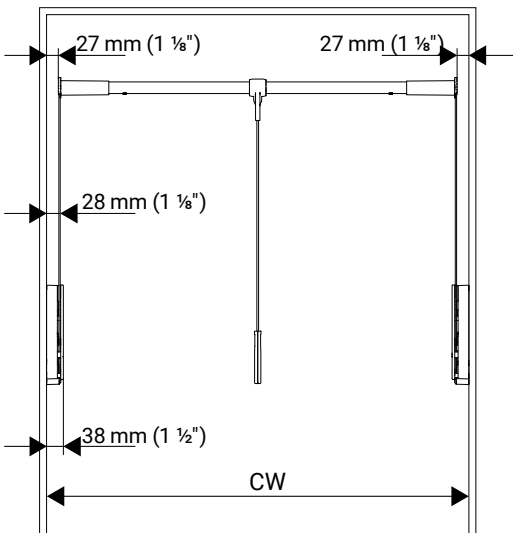


CONERO Classic Wardrobe Lift



- » Easily access upper clothes rails
- » Allows for the utilization of the entire closet height by swinging down the clothes rail
- » Comfortable operation with both low and full loads
- » With a payload of up to 15 kg (33 lb), even heavy jackets and coats move smoothly
- » Self-regulating power assistance allows for gentle and safe lowering even when fully loaded

KEY
 CW= Clear Cabinet Width | FW= Frame Width
 IW= Inner Width | BW= Bottom Width





TOP Wardrobe Lift

The TOP Wardrobe Lift features a shelf installed above the clothes rail - a unique component proprietary to Kesseböhmer. This upper storage shelf moves with the clothes rail as one unit, allowing access to the upper shelf and the clothes rail in tandem.

Sophisticated technology combines force, stability and aesthetics to deliver effortless performance. Based on the Classic Wardrobe Lift, the TOP Wardrobe Lift is one of the most functional components on the market.

Unlike other wardrobe lifts, the CONERO TOP Wardrobe Lift will still move smoothly even if the load distribution is uneven.

The unit's slim-profile power packs are designed to ensure the hinges are concealed. Kesseböhmer also offers shims for other obtrusive elements.



CONERO TOP Wardrobe Lift

CONERO TOP Wardrobe Lift

Packing Unit: 1

Clear Cabinet Width (CW)*	Payload (kg)	Load capacity*** (max.)	System weight (max.)	Powder Black	Champagne
445 - 628 mm (17 1/2 - 24 3/4")	**	20 kg (44 lbs)	25 kg (55lbs)	238282 7021	238282 9853
625 - 808 mm (24 5/8 - 31 3/4")	**	20 kg (44 lbs)	25 kg (55lbs)	238283 7021	238283 9853
805 - 988 mm (31 3/4 - 38 7/8")	**	20 kg (44 lbs)	25 kg (55lbs)	238284 7021	238284 9853
985 - 1168 mm (38 5/8 - 45 7/8")	**	20 kg (44 lbs)	25 kg (55 lbs)	238285 7021	238285 9853

*The use of shims increases the necessary clear cabinet width by 20 mm (3/4") each.

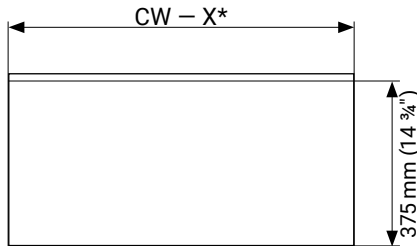
**Payload = load capacity - 2 kg (4.5 lbs) - weight of wooden shelf.

***Load capacity = payload + 2 kg (4.5 lbs)
(max. weight of control lever and clothes rail)
+ weight of wooden shelf (max. 6 kg / 13.2 lbs).

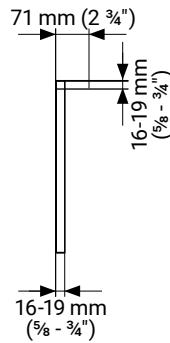
Scope of delivery without wooden base.



Construction dimensions of wooden shelf



*Width dependencies: see right



The world's first clothes lift of its kind.

Kesseböhmer combines its experience in the field of flap lift fittings with the functional movement of the iMove to create the TOP Wardrobe Lift.

The TOP Wardrobe Lift is the world's first clothes lift with an integrated top shelf.

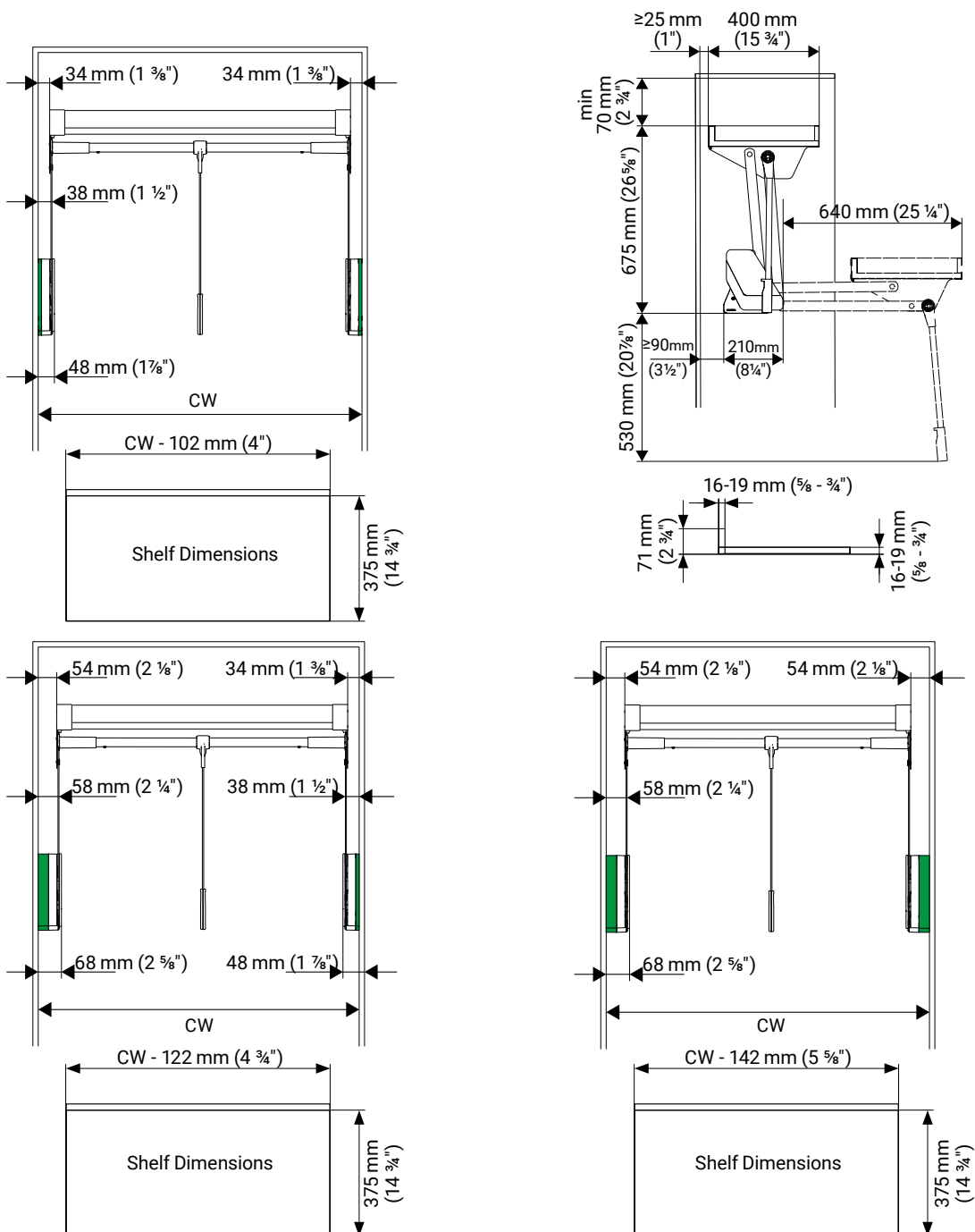
The lift's energy storage system is designed to provide maximum force when needed. With the innovative lift kinematics and a patented lever arm, Kesseböhmer has created a clothes lift with the best raising and lowering properties on the market.

CONERO TOP Wardrobe Lift



- » Creates additional storage space above the clothes rail
- » Easily access upper clothes rails
- » Allows for the utilization of the entire closet height by swinging down the clothes
- » Smooth operation with both low and full loads
- » Self-regulating power assistance allows for gentle and safe lowering even when fully loaded

KEY
 CW= Clear Cabinet Width | FW= Frame Width
 IW= Inner Width | BW= Bottom Width



CONERO Closet Rods



- » High quality, powder-coated aluminum
- » Variant available for lighting
- » Cut-to-size



Powder Black

Champagne

Powder Black for LED Integration

Champagne for LED Integration

CONERO Closet Rod

Individual Packing Unit: 1

Each set consists of:
1 x Closet Rod

Bulk Packing Unit: 10

1 x Set closet rod mounts
1 x Glide profile

Max. Clear Cabinet Width (CW)	Dimension W x D x H		Powder Black	Champagne
920 mm (36 1/4")	919 x 15 x 30 mm (36 1/4 x 5/8 x 1 1/8")	Bulk (Qty. 10)	238901 7021	238901 9853
		Individual	239865 7021	239865 9853
1220 mm (48")	1219 x 15 x 30 mm (48 x 5/8 x 1 1/8")	Bulk (Qty. 10)	238902 7021	238902 9853
		Individual	239866 7021	239866 9853

Cut-to-size

CONERO Closet Rod for LED integration

Individual Packing Unit: 1

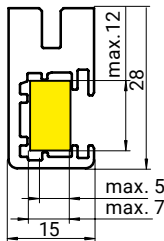
Each set consists of:
1 x Closet Rod
1 x Set closet rod mounts

Bulk Packing Unit: 10

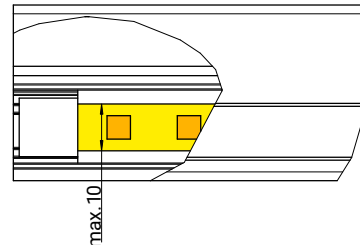
1 x LED mounting plate
1 x Glide profile
1 x Diffuser

Max. Clear Cabinet Width (CW)	Dimension W x D x H		Powder Black	Champagne
920 mm (36 1/4")	919 x 15 x 30 mm (36 1/4 x 5/8 x 1 1/8")	Bulk (Qty. 10)	238724 7021	238724 9853
		Individual	239867 7021	239867 9853
1220 mm (48")	1219 x 15 x 30 mm (48 x 5/8 x 1 1/8")	Bulk (Qty. 10)	238725 7021	238725 9853
		Individual	239868 7021	239868 9853

Cut-to-size



Permissible LED strip dimensions for use with LED adaptation plate



CONERO Closet Rod Mounts

Packing Unit: 10

Each set consists of:
2 x 6.3 x 16 euro-screw
2 x Set closet rod mounts

Black

239869 7818

Shims & Adaptation Plates

CONERO Wardrobe Lift Shim

Packing Unit: 10

Each set consists of:

1 x Shim

1 x Installation manual

Thickness	Dimension W x D x H	Black
30 mm (1 1/8")	30 x 213 x 229 mm (1 1/8 x 8 3/8 x 9")	238722 7818



Set CONERO Wardrobe Lift Adaptation Plate

Packing Unit: 10

For mounting in lightweight cabinets.

Each set consists of:

2 x Adaptation plate

1 x Installation manual

Dimension L x P x H	Black
1.5 x 211 x 227 mm (1/20 x 8 1/4 x 8 7/8")	239873 7021



- » This item is used to enable the CONERO clothes lifts to be installed in an existing row of holes. This includes wardrobes with honeycomb panels (e.g. IKEA® PAX). The row of holes itself must be embedded in a load-bearing, torsion-resistant solid material (e.g. solid wood, chipboard).
- » ATTENTION: Without the Adapter Plate, CONERO clothes lifts may only be installed in solid material (chipboard, wood or similar).



KESSEBÖHMER



DRAWERS & PULL-OUTS

Drawers	18
Trays	22
Interior Flocks.....	25
Pull-outs	28
Shims & Accessories	31



Powder Black Drawer 168



Powder Black Drawer 72



Champagne Drawer 168



Champagne Drawer 72

CONERO Drawers

CONERO Drawers' minimal frames are designed with gently rounded corners and soft edges. Full-extension runners are finished with soft, self-closing mechanisms.

The drawers' tinted glass front and back panels provide visibility to the interior while maintaining the design aesthetic of the collection. Conversely, installers can integrate their own front or back panel materials.

CONERO Drawers have adjustable widths allowing them to form a clear width from 334 to 1020 mm (13 1/8" - 40 1/8"). CONERO drawers are available in two heights of 72 mm (2 7/8") and 168 mm (6 5/8").

CONERO Drawer Sets 72 / 168 H

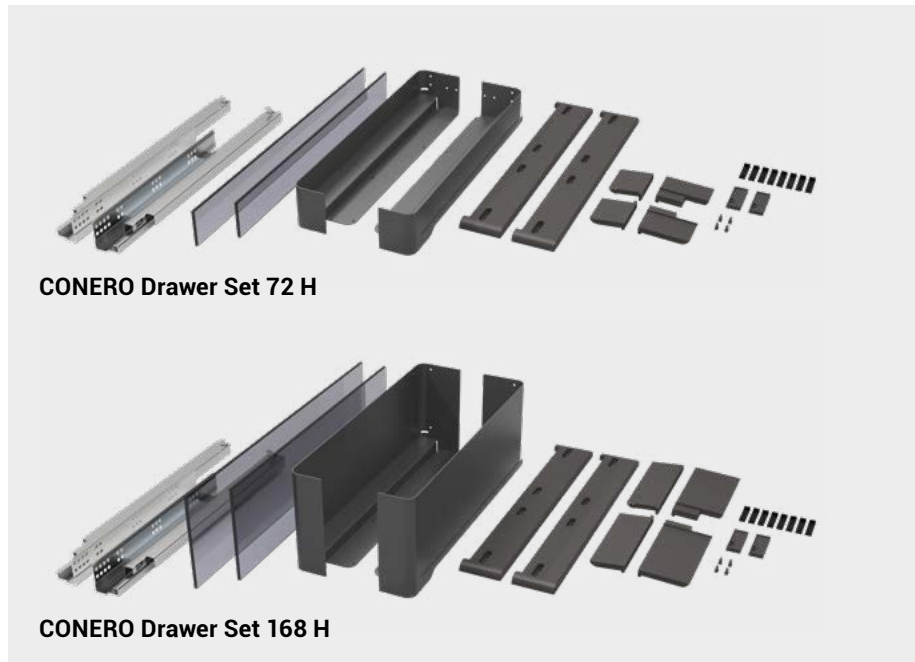
CONERO Drawer Sets 72 and 168H

Packing Unit: 1

Each set consists of:

- 1x Set Frame left + right
- 1x Set runner cover cap left + right
- 1x Set front mounts
- 1x Set rear mounts
- 1x Front glass
- 1x Rear glass
- 1x Kesseböhmer CX runner
- 1x Installation manual

Wooden bottom not included.



Drawer Height	Clear Installation Width (CW)*	Clear Cabinet Depth (CD)	Powder Black	Champagne
72 mm (2 7/8")	455 - 515 mm (18 - 20 1/4")	345 mm (13 5/8")	285159 7021	285159 9853
72 mm (2 7/8")	610 - 670 mm (24 - 26 3/8")	345 mm (13 5/8")	285160 7021	285160 9853
72 mm (2 7/8")	760 - 820 mm (30 - 32 1/4")	345 mm (13 5/8")	285161 7021	285161 9853
72 mm (2 7/8")	455 - 515 mm (18 - 20 1/4")	475 mm (18 3/4")	285162 7021	285162 9853
72 mm (2 7/8")	610 - 670 mm (24 - 26 3/8")	475 mm (18 3/4")	285163 7021	285163 9853
72 mm (2 7/8")	760 - 820 mm (30 - 32 1/4")	475 mm (18 3/4")	285164 7021	285164 9853

*The required clear installation width (CW) increases by 1" (25 mm) for each number of shims used.

Drawer Height	Clear Installation Width (CW)*	Clear Cabinet Depth (CD)	Powder Black	Champagne
168 mm (6 5/8")	455 - 515 mm (18 - 20 1/4")	345 mm (13 5/8")	285171 7021	285171 9853
168 mm (6 5/8")	610 - 670 mm (24 - 26 3/8")	345 mm (13 5/8")	285172 7021	285172 9853
168 mm (6 5/8")	760 - 820 mm (30 - 32 1/4")	345 mm (13 5/8")	285173 7021	285173 9853
168 mm (6 5/8")	455 - 515 mm (18 - 20 1/4")	475 mm (18 3/4")	285174 7021	285174 9853
168 mm (6 5/8")	610 - 670 mm (24 - 26 3/8")	475 mm (18 3/4")	285175 7021	285175 9853
168 mm (6 5/8")	760 - 820 mm (30 - 32 1/4")	475 mm (18 3/4")	285176 7021	285176 9853

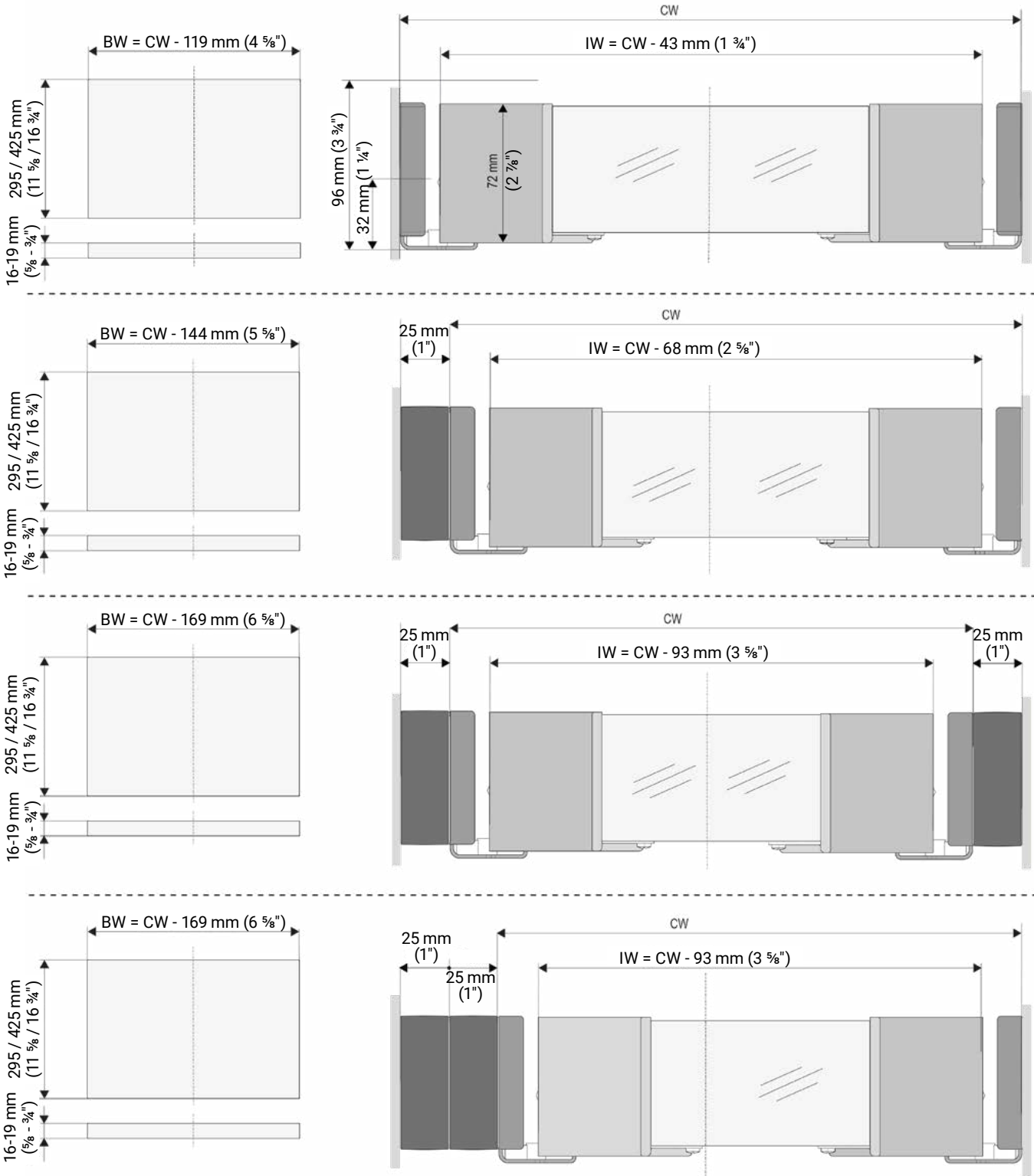
*The required clear installation width (CW) increases by 1" (25 mm) for each number of shims used.

CONERO Drawer 72 H Detail



- » Soft-edge design with millimeter-thin frame
- » Tinted safety glass is elegant and functional
- » Full-extension runner allows for full drawer access
- » Full use of width even for custom-made cabinets due to 60 mm (2 3/8") width adjustability

KEY
 CW= Clear Cabinet Width | FW= Frame Width
 IW= Inner Width | BW= Bottom Width

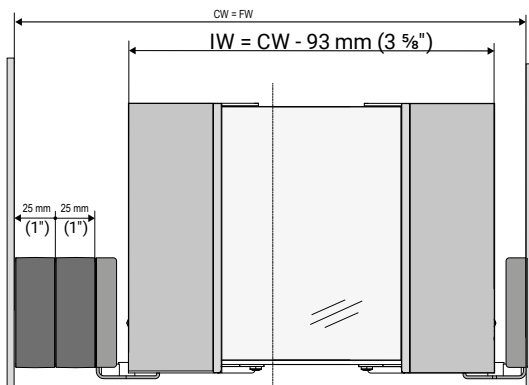
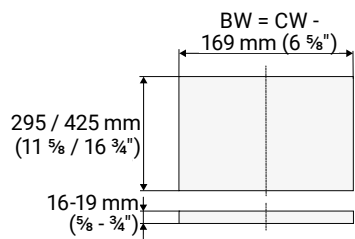
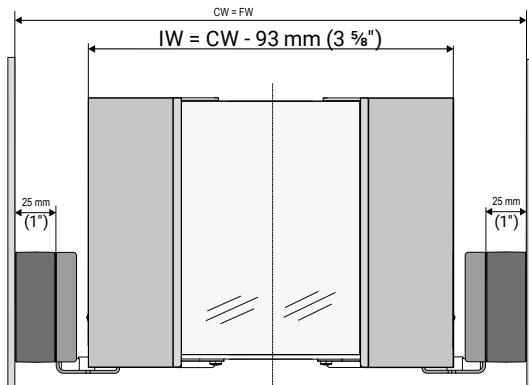
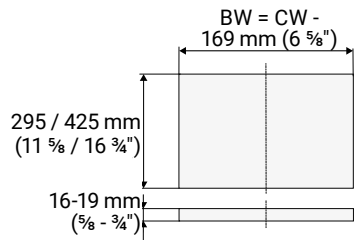
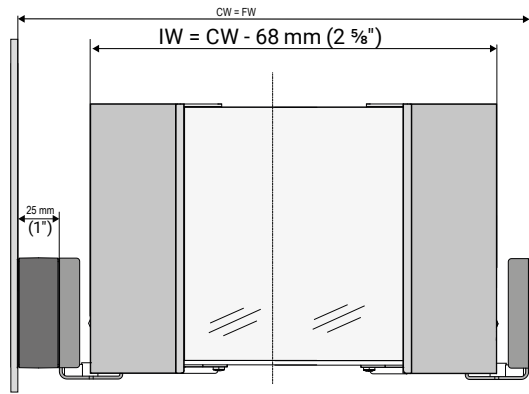
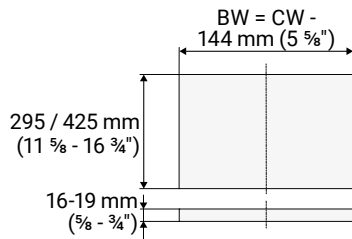
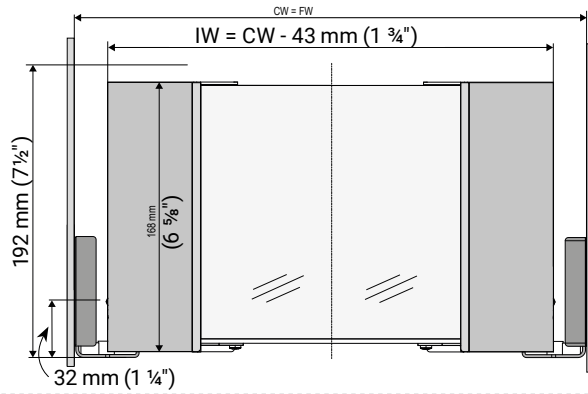
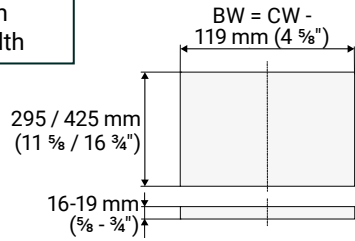


CONERO Drawer 168 H Detail



- » Soft-edge design with millimeter-thin frame
- » Elegantly tinted safety glass provides view of interior
- » Full-extension runner allows for full drawer access
- » Full use of width even for custom-made cabinets due to 60 mm (2 3/8") width adjustability

KEY
 CW= Clear Cabinet Width
 FW= Frame Width
 IW= Inner Width
 BW= Bottom Width





CONERO Trays

Trays are designed with a single back glass panel and an open front to allow for easy access to the items on the tray.

CONERO Trays have adjustable widths allowing them to form a clear width from 334 to 1020 mm (13 1/8 - 40 1/8"). Full-extension runners are finished with soft, self-closing mechanisms.

A variety of flocked mats and anti-slip inserts enhance the versatility of the trays.



Powder Black Tray



Champagne Tray

CONERO Tray Set 72 H

CONERO Tray Set 72 H

Packing Unit: 1

Each set consists of:

- 1x Set Frame left + right
- 1x Set runner cover cap left + right
- 1x Set front mounts
- 1x Set rear mounts
- 1x Rear glass
- 1x Kesseböhmer CX runner
- 1x Installation manual



Wooden bottom not included.

Tray Height	Clear Installation Width (CW)*	Clear Cabinet Depth (CD)	Powder Black	Champagne
72 mm (2 7/8")	455 - 515 mm (18 - 20 1/4")	345 mm (13 5/8")	285165 7021	285165 9853
72 mm (2 7/8")	610 - 670 mm (24 - 26 3/8")	345 mm (13 5/8")	285166 7021	285166 9853
72 mm (2 7/8")	760 - 820 mm (30 - 32 1/4")	345 mm (13 5/8")	285167 7021	285167 9853
72 mm (2 7/8")	455 - 515 mm (18 - 20 1/4")	475 mm (18 3/4")	285168 7021	285168 9853
72 mm (2 7/8")	610 - 670 mm (24 - 26 3/8")	475 mm (18 3/4")	285169 7021	285169 9853
72 mm (2 7/8")	760 - 820 mm (30 - 32 1/4")	475 mm (18 3/4")	285170 7021	285170 9853

*The required clear installation width (CW) increases by 1" (25 mm) for each number of shims used.

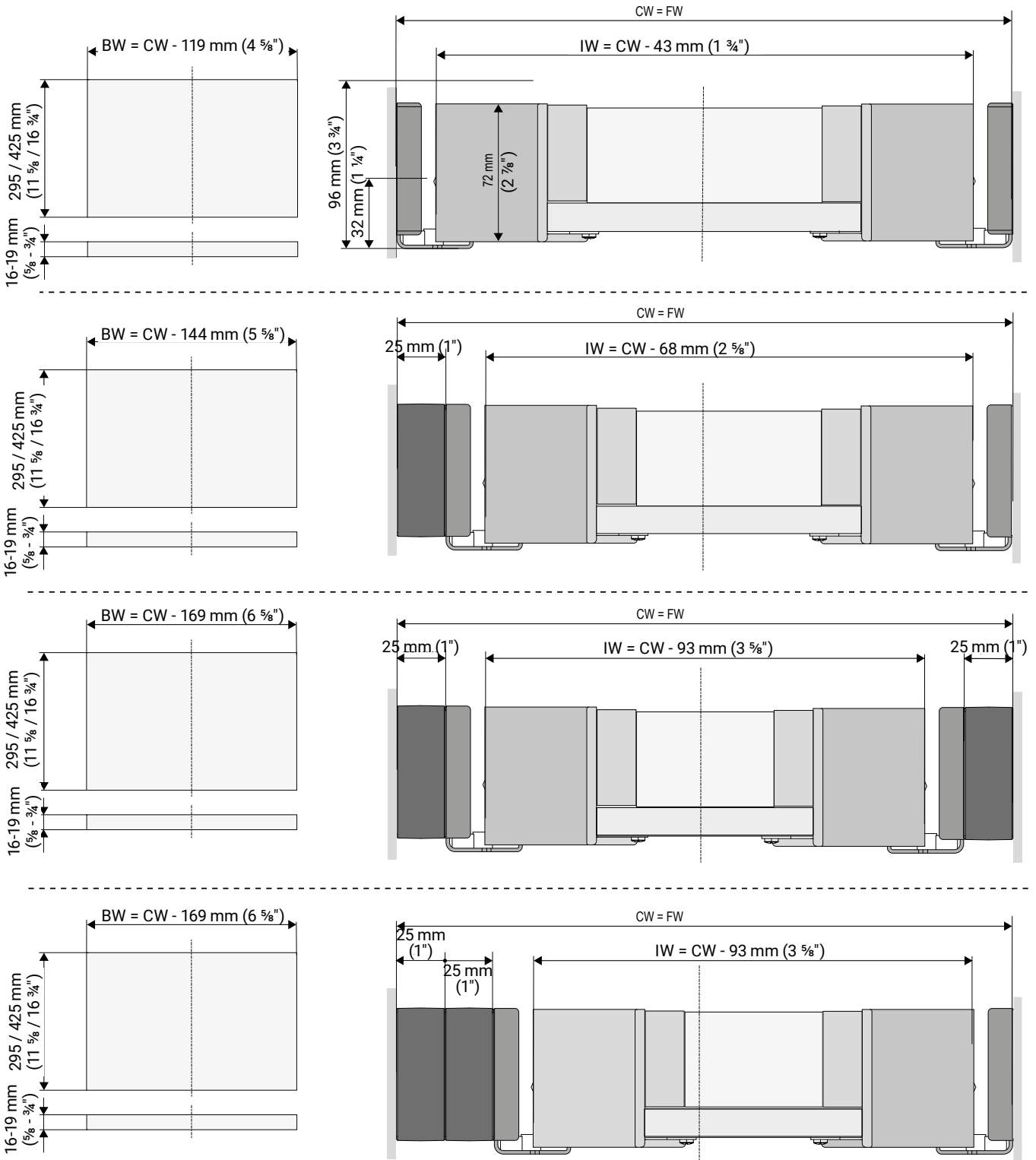


CONERO Tray 72 H Detail



- » Soft-edge design with millimeter-thin frame
- » Front access allows the convenience of a pull-out even with high installations
- » Full use of width even for custom-made cabinets due to 60 mm (2 3/8") width adjustability

KEY
 CW= Clear Cabinet Width | FW= Frame Width
 IW= Inner Width | BW= Bottom Width





Interior Flocks

Flocked trays and anti-slip inserts further enhance the versatility of CONERO Drawers and Trays.

The velvety surface of the mats offers a smooth storage surface for delicate items. Various sizes of flocked trays with gentle depressions form storage spaces for jewelry, sunglasses, belts or other small items.



CONERO Interior Flock



The insert mats can be easily cut to the desired inner dimension.

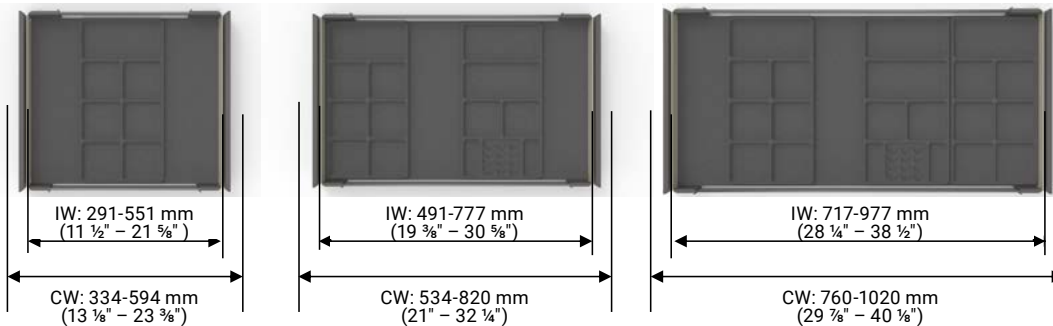
- » Soft flock, velvety surface
- » Smooth storage surface for delicate clothing
- » Anti-slip and noise reducing effect provides safe and steady travel



The flock trays should always be combined with insert mats.

- » Provides safe and functional storage of rings, earrings and small items
- » Soft organization for ties and belts
- » Mix and match to create versatile storage

Recommended number of flock trays:



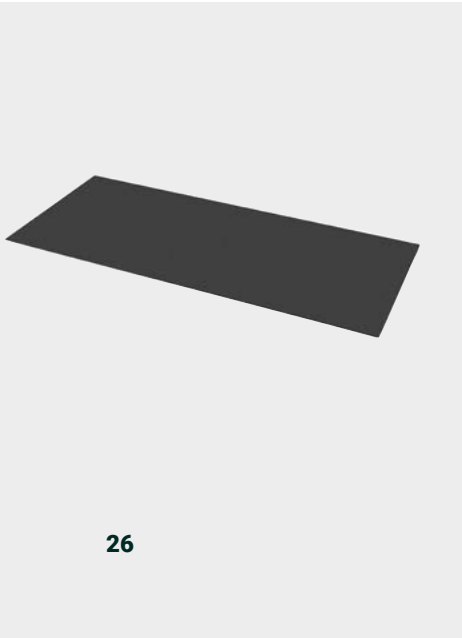
IW: Pull-out inner width

CW: Clear cabinet width (without spacer)

CONERO Interior Flock Without Edge

Dimension W x D x H	Max. Clear Cabinet Width	Clear Installation Depth (CD)	Packing Unit: 6
715 x 425 x 2 mm (28 1/8 x 16 3/4 x 1/16")	762 mm (30")	475 mm (18 3/4")	239855 7817
973 x 425 x 2 mm (38 1/4 x 16 3/4 x 1/16")	1020 mm (40 1/8")	475 mm (18 3/4")	239856 7817
715 x 295 x 2 mm (28 1/8 x 11 5/8 x 1/16")	762 mm (30")	345 mm (13 5/8")	239859 7817
973 x 295 x 2 mm (38 1/4 x 11 5/8 x 1/16")	1020 mm (40 1/8")	345 mm (13 5/8")	239860 7817

Cut-to-size. Flock: black-grey 7817



CONERO Interior Flock

CONERO Interior Flock With Edge

Packing Unit: 6

Dimension W x D x H	Max. Clear Cabinet Width	Clear Installation Depth (CD)	Black-Grey
715 x 425 x 20 mm (28 1/8 x 16 3/4 x 3/4")	762 mm (30")	475 mm (18 3/4")	238584 7817
973 x 425 x 20 mm (38 1/4 x 16 3/4 x 3/4")	1020 mm (40 1/8")	475 mm (18 3/4")	238585 7817
715 x 295 x 20 mm (28 1/8 x 11 5/8 x 3/4")	762 mm (30")	345 mm (13 5/8")	238586 7817
973 x 295 x 20 mm (38 1/4 x 11 5/8 x 3/4")	1020 mm (40 1/8")	345 mm (13 5/8")	238587 7817

Cut-to-size.



CONERO Jewelry and Ring Bowl

Packing Unit: 6

Dimension W x D x H	Clear Cabinet Depth	Black-Grey
223 x 425 x 14 mm (8 3/4 x 16 3/4 x 1/2")	475 mm (18 3/4")	238593 7817

For the required number, please refer to the internal dimensions on page 26.



CONERO Jewelry and Ring Bowl

Packing Unit: 6

Dimension W x D x H	Clear Cabinet Depth	Black-Grey
223 x 295 x 14 mm (8 3/4 x 11 5/8 x 1/2")	345 mm (13 5/8")	238595 7817

For the required number, please refer to the internal dimensions on page 26.



CONERO Belt and Tie Tray

Packing Unit: 6

Dimension W x D x H	Clear Cabinet Depth	Black-Grey
223 x 425 x 14 mm (8 3/4 x 16 3/4 x 1/2")	475 mm (18 3/4")	238594 7817

For the required number, please refer to the internal dimensions on page 26.

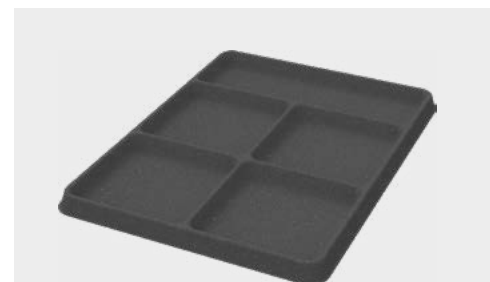


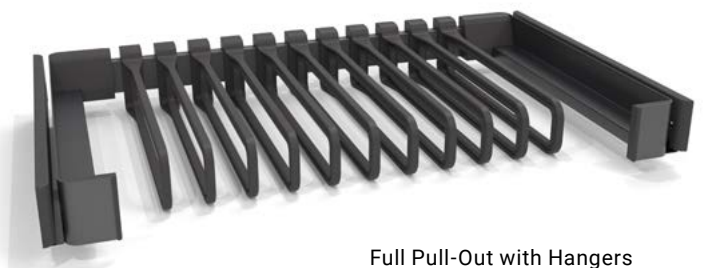
CONERO Belt and Tie Bowl

Packing Unit: 6

Dimension W x D x H	Clear Cabinet Depth	Black-Grey
223 x 295 x 14 mm (8 3/4 x 11 5/8 x 1/2")	345 mm (13 5/8")	238596 7817

For the required number, please refer to the internal dimensions on page 26.





Full Pull-Out with Hangers



Side Pants Pull-out

CONERO Pull-outs

CONERO Pull-outs are available as full-width or half-width, side-installed components. Both versions of the Pull-out have a fully enclosed ball bearing runner, preventing any clothing from being caught in the runner or dirtied by the grease of a traditional mechanism. The pull-outs travel smoothly and close softly.

Accessorize the pull-outs with front-removable hangers, laundry bags, or both to create a unique storage system. CONERO's easy-to-remove hangers are designed with two hangable spaces, doubling the storage of a traditional clothes hanger.

The Full Pull-out is available for clear installation depths of 345 mm (13 5/8") and 475 mm (18 3/4"). Side Pull-outs are suitable for units with a clear width of 457 mm (18") or more and a clear depth of 475 mm (18 3/4").

CONERO Pull-out Set 72 H 345 / 475

CONERO Pull-out Set 72 H 345 and Set 72 H 475

Packing Unit: 1

Each set consists of:

- 1x Set Side left + right
- 1x Set runner cover cap left + right
- 1x Set front mounts
- 1x Set crossbar mounts
- 1x Installation manual
- 1x Crossbar
- 1x Kesseböhmer CX runner

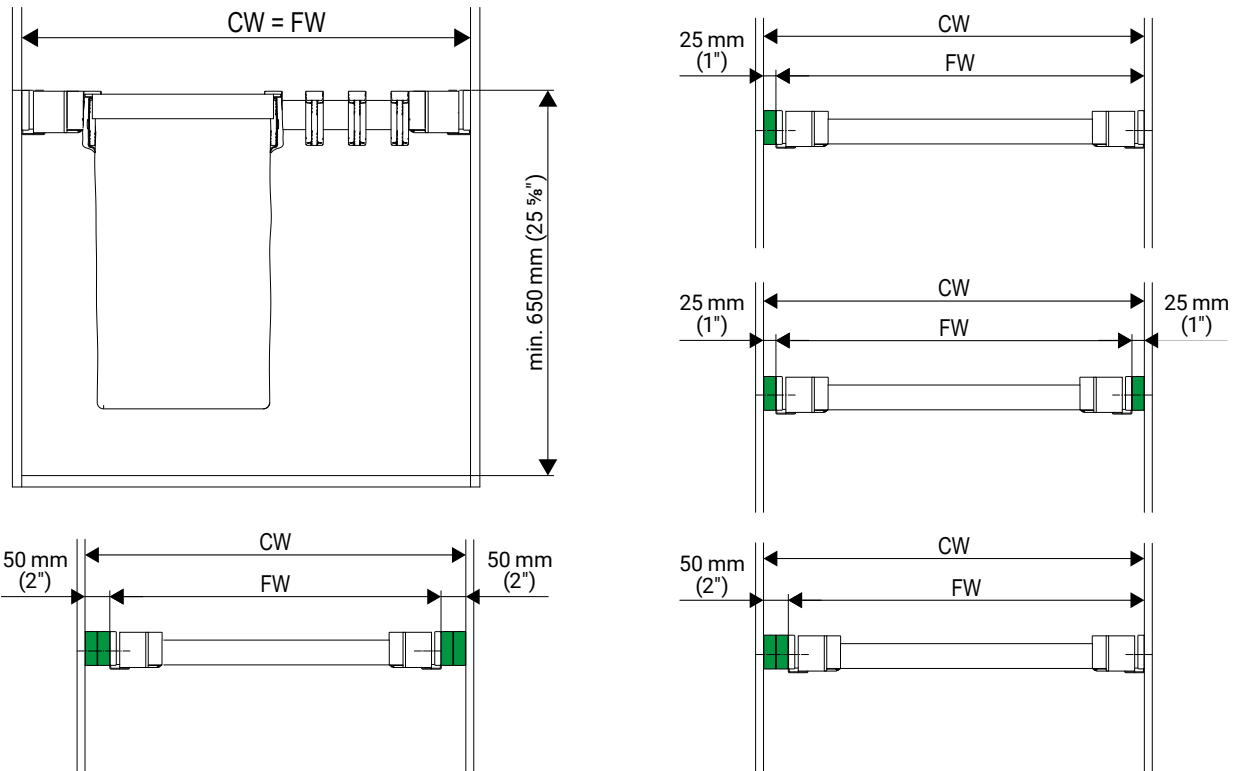


Order Hangers and Laundry Bags separately.

Pullout Height	Frame width (FW)*	Clear Installation Depth(CD)	Suggested number of hangers	Suggested number of laundry bags		Powder Black	Champagne
				Narrow	Wide		
72 mm (2 7/8")	455 - 515 mm (18 - 20 1/4")	345 mm (13 5/8")	5	1		285177 7021	285177 9853
72 mm (2 7/8")	610 - 670 mm (24 - 26 3/8")	345 mm (13 5/8")	7	2		285178 7021	285178 9853
72 mm (2 7/8")	760 - 820 mm (30 - 32 1/4")	345 mm (13 5/8")	11	1	1	285179 7021	285179 9853
72 mm (2 7/8")	455 - 515 mm (18 - 20 1/4")	475 mm (18 3/4")	5	1		285180 7021	285180 9853
72 mm (2 7/8")	610 - 670 mm (24 - 26 3/8")	475 mm (18 3/4")	7	2		285181 7021	285181 9853
72 mm (2 7/8")	760 - 820 mm (30 - 32 1/4")	475 mm (18 3/4")	11	1	1	285182 7021	285182 9853

*CW = FW (frame width) + number of spacer bars (25 mm each) / See below.

KEY
 CW= Clear Cabinet Width | FW= Frame Width
 IW= Inner Width | BW= Bottom Width



CONERO Side Pants Pull-out



- » Spans half the length of the Full Pull-out
- » Includes seven double hangers with space to hang 14 pairs of pants
- » Front-removable hangers for easy access
- » Dual mounting option for left or right side installation
- » Ideal solution for retrofit installations

CONERO Side Pants Pull-out Packing Unit: 1

Clear Cabinet Depth (CD)	Clear Cabinet Width (CW)	Number of hangers	Powder Black	Champagne
475 mm (18 ¾")	457 mm (18")	7	238383 7021	238383 9853



CONERO Side Laundry Pull-out



- » Easily integrate a laundry bag directly into the closet
- » Each pull-out can hold up to three laundry bags
- » Easy installation or removal of the laundry bag
- » An ideal solution for retrofit installations
- » Dual mounting option for left or right side installation
- » Fits in any cabinet from 457 mm (18") clear width

CONERO Side Laundry Pull-out Packing Unit: 1

Clear Cabinet Depth (CD)	Clear Cabinet Width (CW)	Number of laundry bags	Powder Black	Champagne
475 mm (18 ¾")	457 mm (18")	1 x wide	238736 7021	238736 9853



Shims & Accessories

1" CONERO Shims

Packing Unit: 10

Nominal Length	Clear Installation Depth (CD)	Dimension W x D x H	Black
320 mm (12 5/8")	345 mm (13 5/8")	25 x 323 x 69 mm (1" x 12 3/4" x 2 3/4")	238683 7818
450 mm (17 3/4")	475 mm (18 3/4")	25 x 453 x 69 mm (1 x 17 7/8 x 2 3/4")	238682 7818



CONERO Hangers

Clear Installation Depth (CD)	For Nominal Length	Dimension W x D x H	Packing Unit: 5	Packing Unit: 6	Packing Unit: 7
345 mm (13 5/8")	320 mm (12 5/8")	30 x 310 x 93 mm (1 1/8" x 12 1/4" x 3 5/8")	238715 7818	238716 7818	238717 7818
475 mm (18 3/4")	450 mm (17 3/4")	30 x 380 x 93 mm (1 1/8" x 15" x 3 5/8")	238712 7818	238713 7818	238714 7818



CONERO Laundry Bag

Packing Unit: 1

Each set consists of:

1 x Laundry Bag

2 x 345 mm Hangers

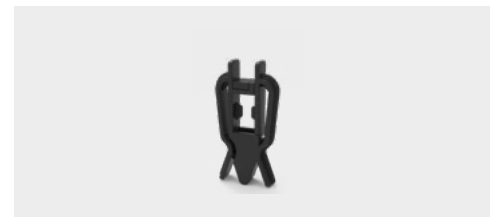
Version	Dimension W x D x H	Taupe
Narrow	190 x 280 x 530 mm (7 1/2" x 11" x 20 7/8")	238737 1943
Wide	300 x 280 x 530 mm (11 3/4" x 11 x 20 7/8")	238738 1943



CONERO Skirt Clip

Packed in bags of 10 for 5 hangers.

Color	Packing Unit: 200
slate black	280818 7818



Lighter, stronger and sustainable

CONERO Hangers, made of natural fiber-reinforced thermoplastic, are superior to conventional plastic in many respects. The material is composed of 30% cellulose manufactured from meadow grass, making the hangers light, dimensionally stable, temperature-resistant, and 100% recyclable.



KESSEBÖHMER



SHOE & SMALL STORAGE

Shoe Fence.....	34
Shoe Rack.....	36
Belt & Tie Storage.....	37



Shoe Fence

The CONERO Shoe Fence allows shoes to be displayed and stored efficiently.

Kesseböhmer also offers two types of Shoe Fences; Aluminum and Steel. Aluminum Shoe Fences can be cut-to-size.

CONERO Shoe Fence

CONERO Shoe Fence – Steel

Packing Unit: 20

Each set consists of:

2 x mounts

1 x Profile

Max. Dimension W x D x H	Min. Clear Cabinet Width	Powder Black	Champagne
432 x 24 x 38 mm (17" x 1" x 1 ½")	457 mm (18")	239870 7021	239870 9853
584 x 24 x 38 mm (23" x 1" x 1 ½")	610 mm (24")	239871 7021	239871 9853



CONERO Shoe Fence – Aluminium

Packing Unit: 20

Each set consists of:

2 x mounts

1 x Profile

Max. Dimension W x D x H	Max. Clear Cabinet Width	Powder Black	Champagne
582 x 24 x 38 (22 7/8" x 1" x 1 ½")	582 mm (22 7/8")	238723 7021	238723 9853

Cut-to-size. Shoe fence can be extended as desired by stringing several shoe fences together.



CONERO Shoe Fence – Steel

Packing Unit: 20

Each set consists of:

3 x mounts

2 x Profile

Max. Dimension W x D x H	Min. Clear Cabinet Width	Powder Black	Champagne
732 x 24 x 38 mm (28 7/8" x 1" x 1 ½")	762 - 776 mm (30 - 30 ½")	239872 7021	239872 9853



CONERO Shoe Fence – Aluminium

Packing Unit: 20

Each set consists of:

3 x mounts

2 x Profile

Max. Dimension W x D x H	Max. Clear Cabinet Width	Powder Black	Champagne
1114 x 24 x 38 mm (43 7/8" x 1" x 1 ½")	1114 mm (43 7/8")	238438 7021	238438 9853

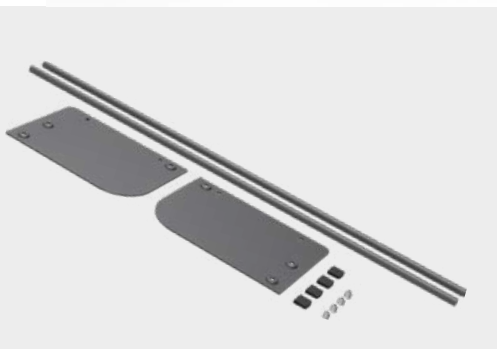
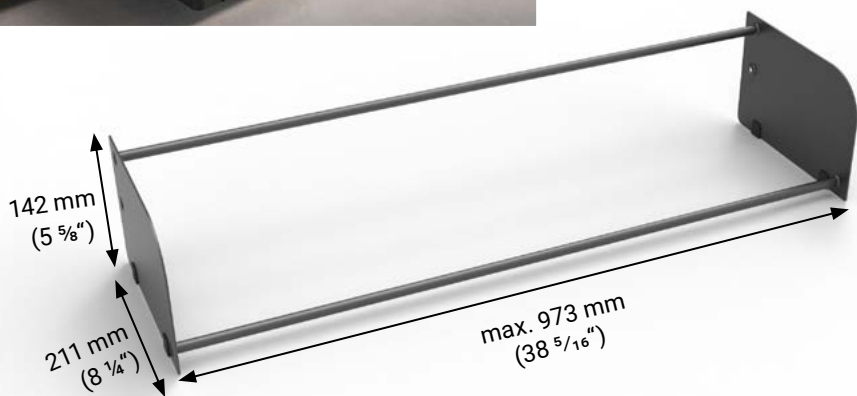
Cut-to-size. Shoe fence can be extended as desired by stringing several shoe fences together.





Shoe Rack

- » Upright shoe organization for high-sided drawers
- » The Shoe Rack can cut-to-size to the required internal dimension
- » Suitable for any shoe
- » Can also be used free-standing or in a drawer



CONERO Shoe Rack Packing Unit: 2

Dimension W x D x H	Max. Clear Cabinet Width	Powder Black	Champagne
715 x 211 x 142 mm (28 1/8 x 8 1/4 x 5 5/8")	762 mm (30")	239584 7021	239584 9853
973 x 211 x 142 mm (38 1/4 x 8 1/4 x 5 5/8")	1020 mm (40 1/8")	239585 7021	239585 9853

Cut-to-size

2 shoe racks are needed to equip a pull-out with CD 475 mm (18 3/4")..

Belt & Tie Storage

CONERO has two options for belt and tie storage: the Belt & Tie Pull-out and the Belt & Tie Organizer.

The grease-free runners of the Belt & Tie Pull-out allow it to extend smoothly while ensuring there is no danger of other clothing hung in the closet being dirtied.

The Belt & Tie Organizer is identical to the Belt & Tie Pull-out but without a runner. It is designed for stationary mounting to the inside of a closet door or wall.

Both components have a 100% symmetrical design, allowing for installation on a left or right side wall.

The Belt & Tie Pull-out and the Belt & Tie Organizer are available for 345 mm (13 5/8") and 475 mm (18 3/4") clear installation depths and can be installed in the 32 mm hole pattern.



CONERO Belt & Tie Pull-out

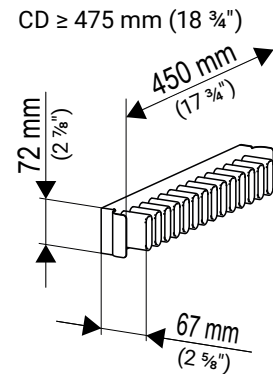
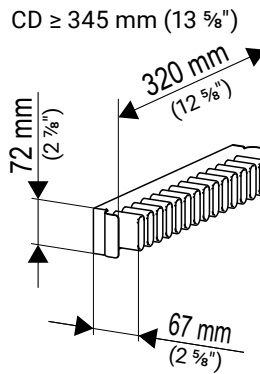


- » Soft-Touch surface for the gentle storage of belts, ties and scarves
- » Utilizes unused storage space under the clothes rail
- » Grease-free runners protects surrounding clothing
- » Position anywhere in the closet, an ideal solution for retrofit installations
- » Dual mounting option for left or right side installation



CONERO Belt- & Tie Pull-out with shim

KEY
 CW= Clear Cabinet Width | FW= Frame Width
 IW= Inner Width | BW= Bottom Width



CONERO Belt & Tie Pull-out Packing Unit: 1

Clear Cabinet Depth (CD)	Dimension W x D x H	Powder Black	Champagne
475 mm (18 3/4")	67 x 450 x 72 mm (2 5/8" x 17 3/4" x 2 7/8")	238379 7021	238379 9853
345 mm (13 5/8")	67 x 320 x 72 mm (2 5/8" x 12 5/8" x 2 7/8")	238380 7021	238380 9853



CONERO Belt & Tie Pull-out with Bowl Packing Unit: 1

Clear Cabinet Depth (CD)	Dimension W x D x H	Powder Black	Champagne
475 mm (18 3/4")	67 x 450 x 72 mm (2 5/8" x 17 3/4" x 2 7/8")	238381 7021	238381 9853
345 mm (13 5/8")	67 x 320 x 72 mm (2 5/8" x 12 5/8" x 2 7/8")	238382 7021	238382 9853

CONERO Belt & Tie Organizer



- » Soft-Touch surface for the gentle storage of belts, ties and scarves
- » Mounts on the inside of the door
- » Utilizes potentially unused storage space on the inside of the door or under the clothes rail

CONERO Belt & Tie Organizer Packing Unit: 1

Clear Cabinet Depth (CD)	Dimension W x D x H	Powder Black	Champagne
475 mm (18 ¾")	67 x 450 x 72 mm (2 ⅝" x 17 ¾" x 2 ⅞")	238384 7021	238384 9853
345 mm (13 ⅝")	67 x 320 x 72 mm (2 ⅝" x 12 ⅝" x 2 ⅞")	238385 7021	238385 9853



CONERO Belt & Tie Organizer with Bowl Packing Unit: 1

Clear Cabinet Depth (CD)	Dimension W x D x H	Powder Black	Champagne
475 mm (18 ¾")	67 x 450 x 72 mm (2 ⅝" x 17 ¾" x 2 ⅞")	238386 7021	238386 9853
345 mm (13 ⅝")	67 x 320 x 72 mm (2 ⅝" x 12 ⅝" x 2 ⅞")	238387 7021	238387 9853



1" CONERO Shim Packing Unit: 10

Nominal Length	Clear Cabinet Depth (CD)	Dimension W x D x H	Black
320 mm (12 ⅝")	345 mm (13 ⅝")	25 x 323 x 69 mm (1" x 12 ¾" x 2 ¾")	238683 7818
450 mm (17 ¾")	475 mm (18 ¾")	25 x 453 x 69 mm (1" x 17 ⅞" x 2 ¾")	238682 7818





KESSEBÖHMER USA INC. | 106 MARKET STREET | SUITE 300 | WILMINGTON, NC 28401 | 910-338-5080
CONTACT@KESSEBOEHMER.COM | CLEVERSTORAGE.COM



be clever.

2509870000